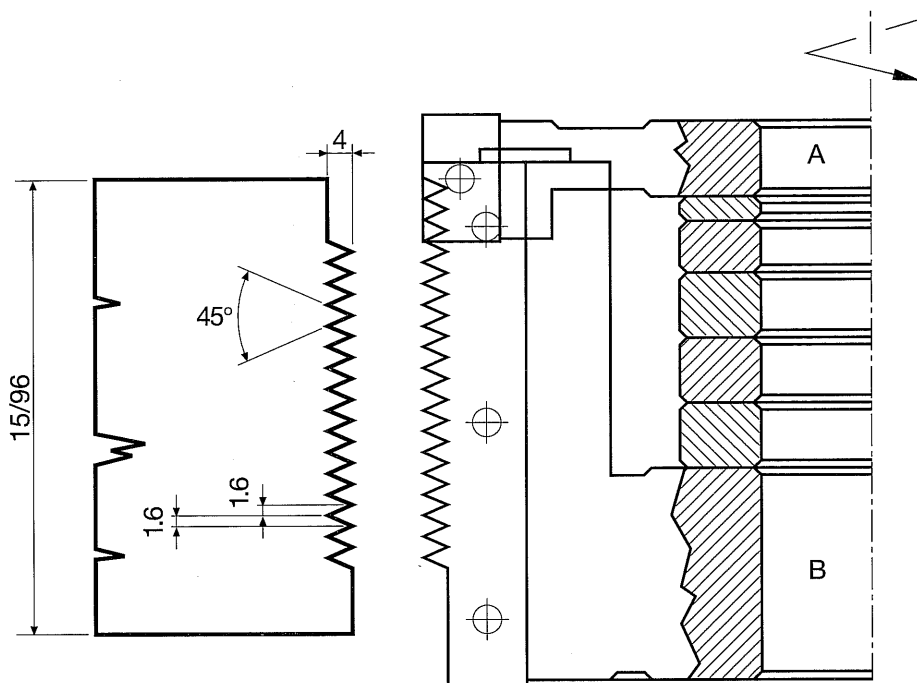




RESCO®

1091/1

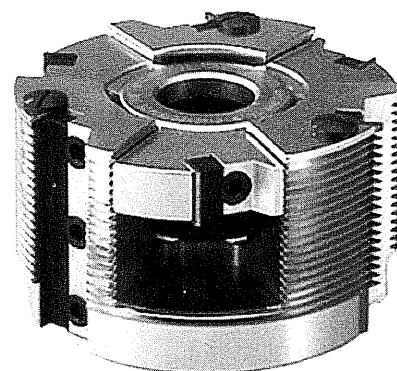
MAN



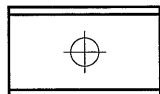
	D	H	d max	Z	C.P.
A	140	20	50	3	
B	140	80	50	3	
					E30

Ricambi C.P.

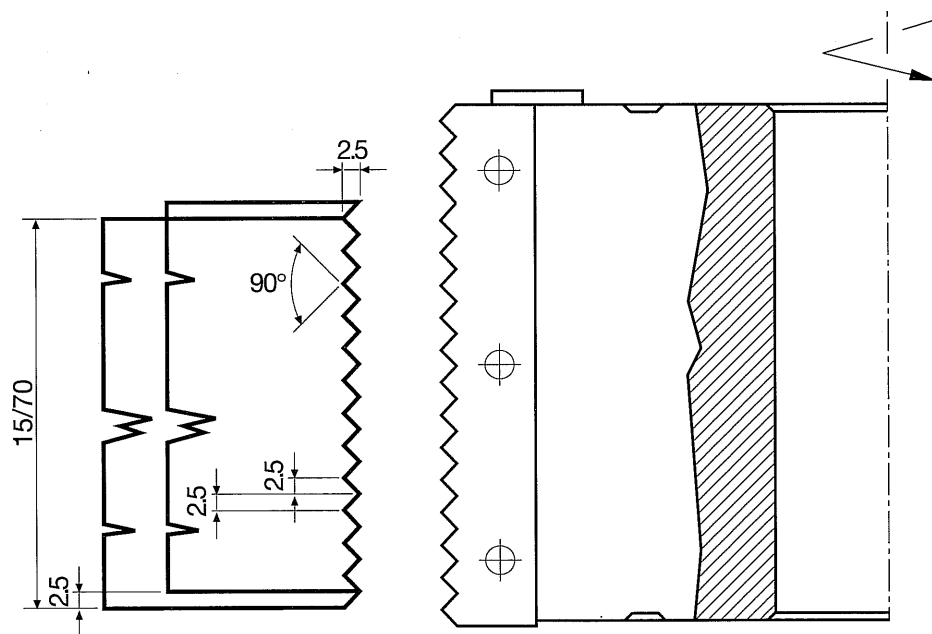
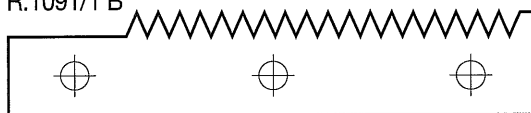
R.1091/1 A9



Cod. 6.000.009



R.1091/1 B



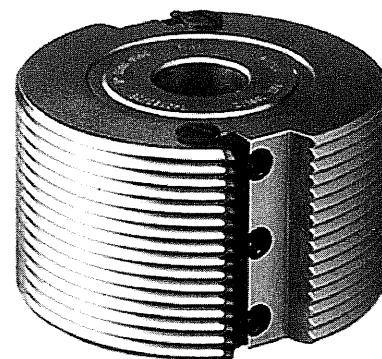
1091/2

MAN

	D	H	d max	Z	C.P.
	140	80	50	2	E23

Ricambi C.P.

R.1091/2 B8



R.1091/2

